

# A-1120

## RS-485 Analog I/O Remote Modules

### 8-CH RTD Isolation Acquisition Module



1

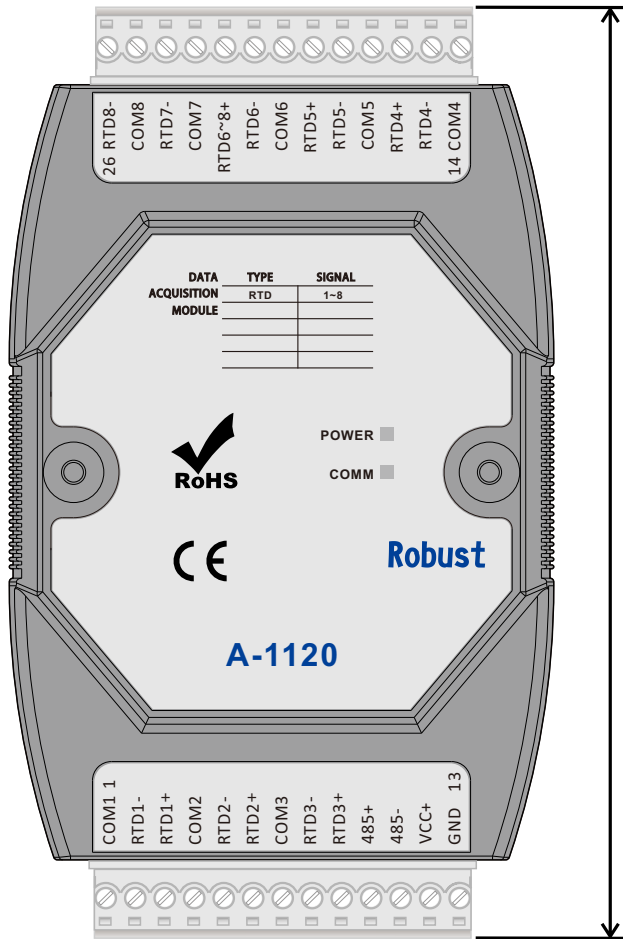
#### OVERVIEW

- 8-Channel 2/3-Wired PT-100
- Temperature Measurement Range: -200 °C ~ 850 °C
- Burn-out Detection
- Isolation RS-485 Interface
- Isolation Voltage: 1500VDC
- Surge/EFT/ESD Protection
- Dual Watchdog Timer
- Low Power Indicator
- Support Modbus RTU
- Operation Temperature: -20 ~ 70 °C

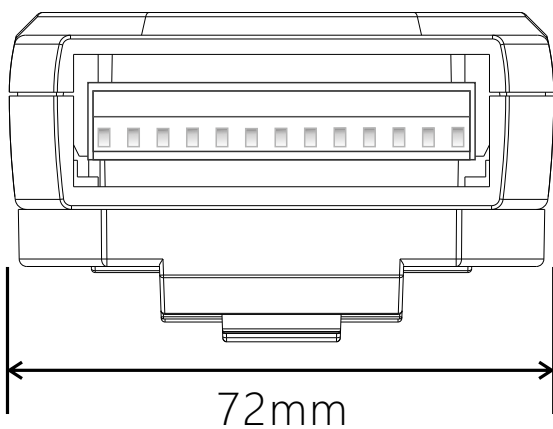
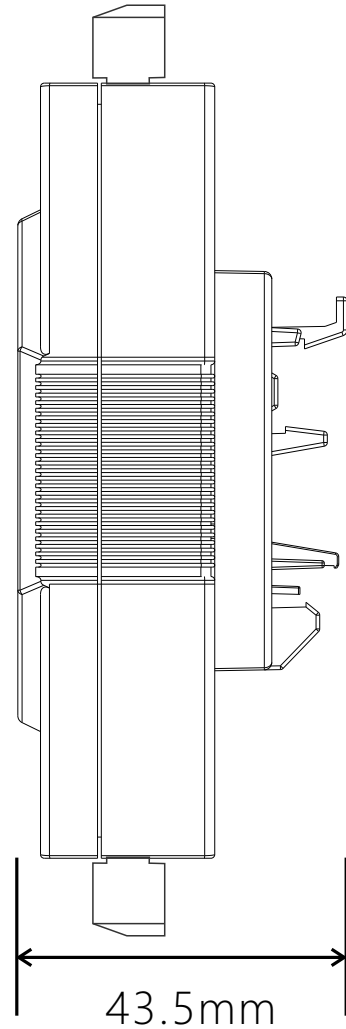


For more information, please refer to [www.szatc.com](http://www.szatc.com)

Part Number	A-1120
Analog Input	8
Type	PT100(2/3-wired)
Resolution	0.1°C
Accuracy	0.02% ± 0.1°C
Temperature Range	-200°C ~ 850°C
Sampling Rate	10Hz (Total)
Span Drift	± 10 ppm/°C
Impedance	10MΩ
CMR @ 50/60 Hz	120 dB
Interface	1 × RS-485
Baud Rate	9600 ~ 115200bps
Isolation	RS-485 & Power: 1500VDC
Protocol	MODBUS RTU
Degree Of Protection	IP20
Installation	35mm DIN Rail
Dimension	121.5*72*43.5mm
Operation Temperature	-20 ~ +70°C
Operation Voltage	10~30VDC



121.5mm



For more information, please refer to [www.szatc.com](http://www.szatc.com)

