

A-1151

RS-485 Digital I/O Remote Modules

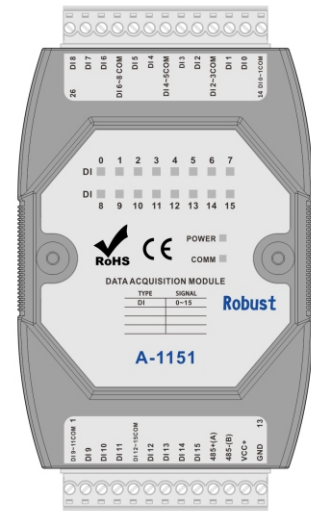
16DI Isolation Acquisition Module



1

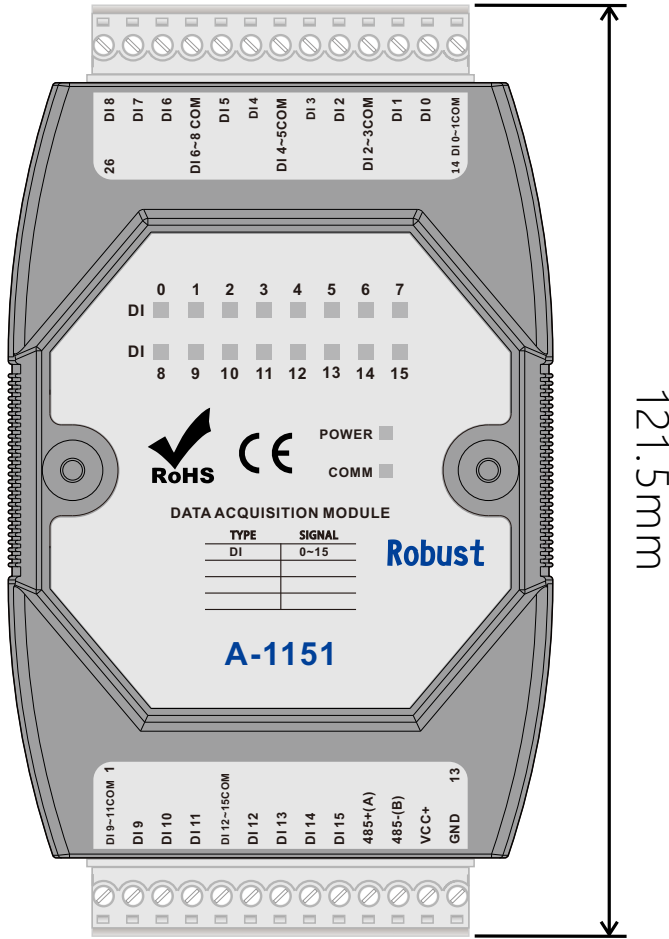
OVERVIEW

- 16-Channel Digital Input (PNP and NPN)
- Isolation DI: 5000VDC
- Isolation RS-485 & Power: 1500VDC
- LED Indicator
- Surge/EFT/ESD Protection
- Dual Watchdog Timer
- Low Power Indicator
- Support Modbus RTU
- Operation Temperature: -20~70 °C

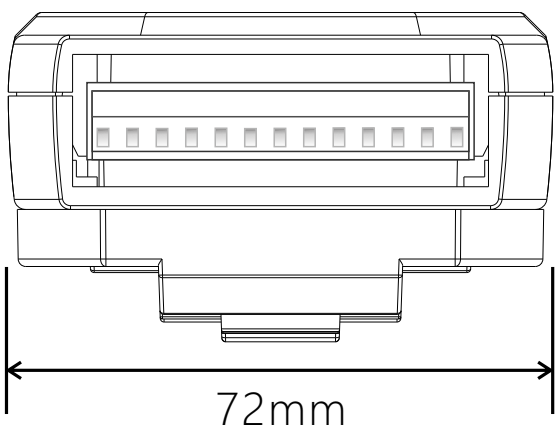
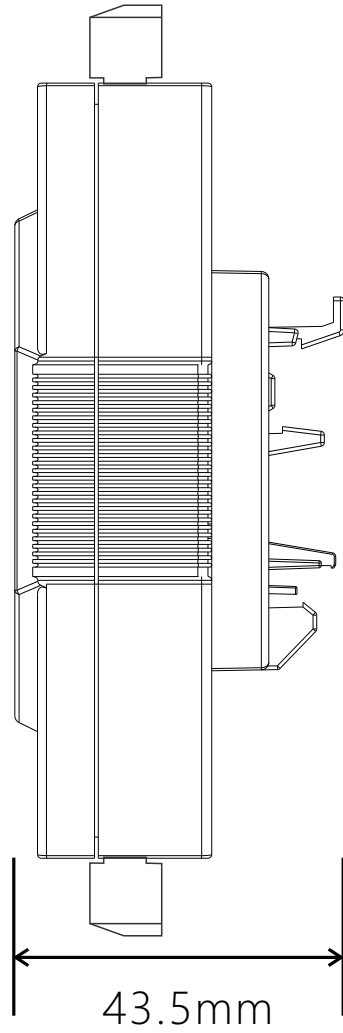


For more information, please refer to www.szatc.com

Part Number	A-1151
Digital Input	16 Channel (PNP & NPN)
Digital Output	-
DI Status	Low: <1VDC, High: >5~30VDC
DO Continuous Current	-
DI Operation Frequency	10Hz
Communication Interface	1×RS-485
Baud Rate	1200 ~ 115200bps
Protocol	MODBUS RTU
Degree Of Protection	IP20
Installation	35mm DIN Rail
Dimension	121.5*72*43.5mm
Operation Temperature	-20 ~ +70°C
Operation Voltage	10~30VDC
Isolation	DI: 5000VDC, RS-485 & Power: 1500VDC



121.5mm



For more information, please refer to www.szatc.com

