

A-1160

RS-485 Digital I/O Remote Modules

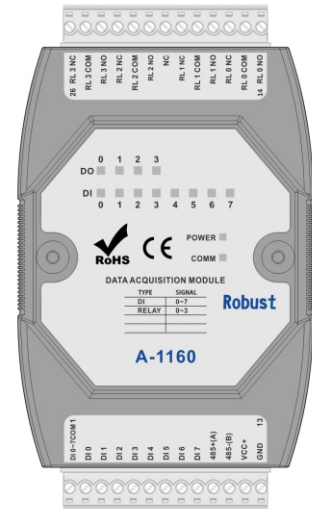
8DI/4DO Isolation Acquisition Module



1

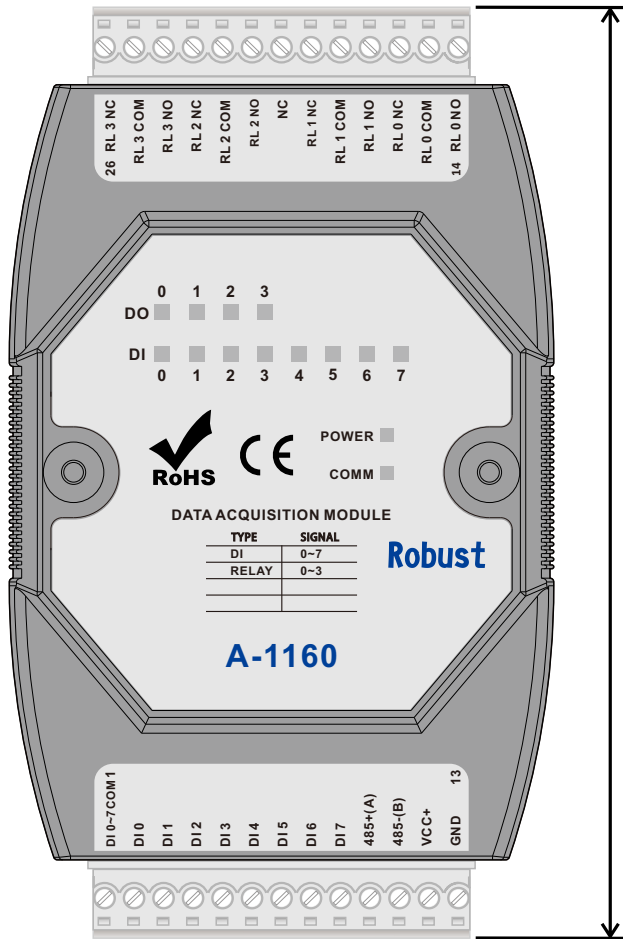
OVERVIEW

- 8-Channel Digital Input (PNP and NPN)
- 4-Channel Digital Output (Power Relay)
- Isolation DI & DO: 5000VDC
- Isolation RS-485 & Power: 1500VDC
- LED Indicator
- Surge/EFT/ESD Protection
- Dual Watchdog Timer
- Low Power Indicator
- Support Modbus RTU
- Operation Temperature: -20~70 °C

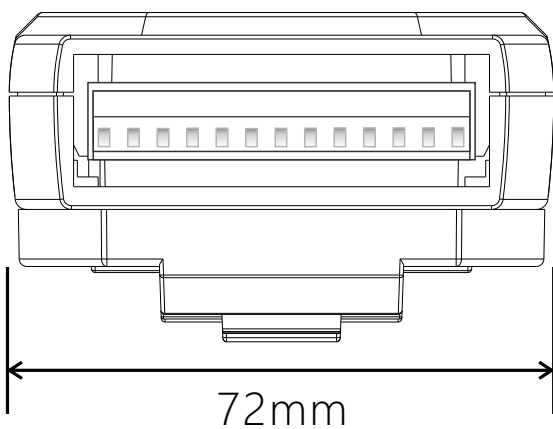
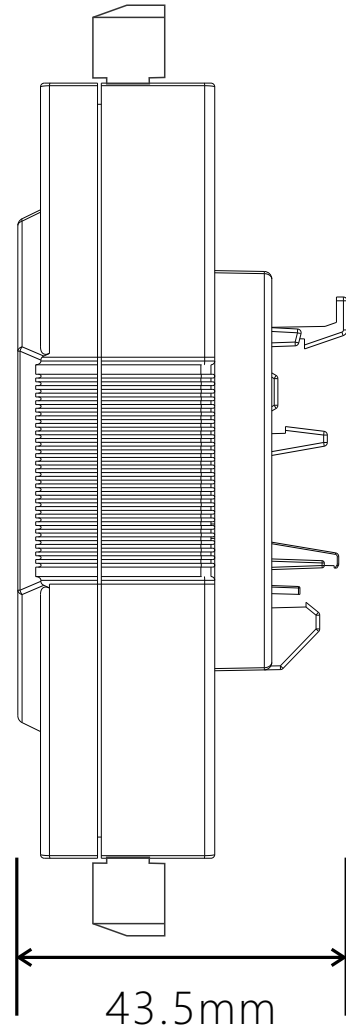


For more information, please refer to www.szatc.com

| Part Number | A-1160 |
|-----------------------------|---|
| Digital Input | 8 Channel (PNP & NPN) |
| Digital Output | 4 Channel (Power Relay) |
| DI Status | Low: <1VDC, High: >5~30VDC |
| DO Continuous Current | 250VAC/5A, 24VDC/5A |
| DI & DO Operation Frequency | 10Hz |
| Communication Interface | 1×RS-485 |
| Baud Rate | 1200 ~ 115200bps |
| Protocol | MODBUS RTU |
| Degree Of Protection | IP20 |
| Installation | 35mm DIN Rail |
| Dimension | 121.5*72*43.5mm |
| Operation Temperature | -20 ~ +70°C |
| Operation Voltage | 10~30VDC |
| Isolation | DI & DO: 5000VDC, RS-485 & Power: 1500VDC |



121.5mm



For more information, please refer to www.szatc.com

